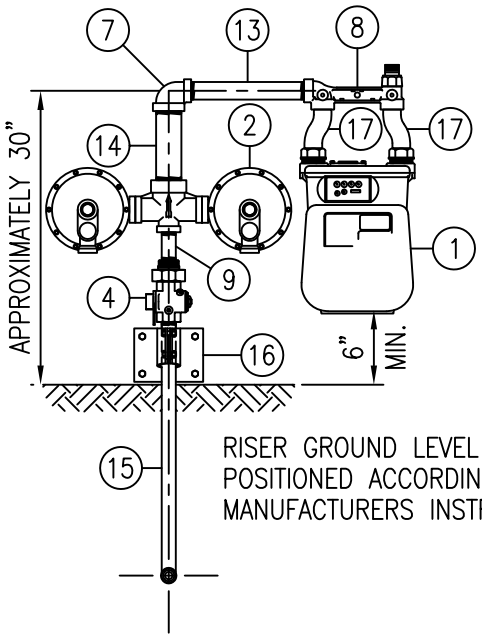
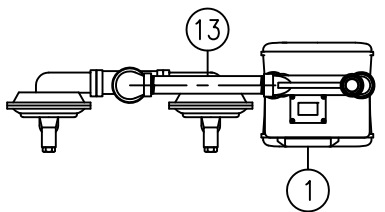


2' MINIMUM BENDING RADIUS FROM LEVEL OF BENDING POINT FOR FLEXIBLE RISER.

SETTING A WITH STANDARD REGULATOR



RISER GROUND LEVEL TO BE POSITIONED ACCORDING TO THE MANUFACTURERS INSTRUCTIONS.

SETTING B WITH 1" X 2" REGULATOR

THE STANDARD DRAWING DEPICTED HERE HAS BEEN DESIGNED IN ACCORDANCE WITH USDOT PIPELINE SAFETY STANDARDS SET FORTH AT 49 CFR PART 192, AND THE REQUIREMENTS OF NFPA 54. DEVIATION FROM THIS DRAWING, EITHER IN MATERIALS OR SPECIFICATIONS, WITHOUT THE WRITTEN APPROVAL OF THE NISOURCE INC. DESIGN ENGINEER IS NOT AUTHORIZED, AND NISOURCE, INC. WILL NOT BE HELD ACCOUNTABLE FOR THE IMPROPER OPERATION OF THE FACILITY. A QUALIFIED PLUMBER, OTHER INSTALLER OR THE MANUFACTURER SHOULD BE CONSULTED FOR PROPER INSTALLATION AND/OR TESTING OF THIS FACILITY, AND NEITHER NISOURCE, INC. NOR ANY AFFILIATE OR SUBSIDIARY OF NISOURCE, INC. SHALL BE RESPONSIBLE FOR THE INSTALLATION AND/OR TESTING OF THE FACILITY.

Note:

IN KENTUCKY, THE COMPANY WILL INSTALL THE RISER

	DRAWING TITLE		
	OUTSIDE METER SETTING USING 400 AND 630 CLASS METERS		
DRAWN CR EMERSON	DATE 03-03-03	DRAWING NO. PLMB-0002	ISSUE NO.
CHECKED	DATE	SHEET NO. 1 of 2	

# BILL OF MATERIAL

ITEM	SET & QTY		SIZE	DESCRIPTION
	A	B		
1	1	1	1 1/4"	METER, DIAPHRAM, TO BE PROVIDED BY COLUMBIA GAS (METER BAR: 44-11-080)
2		1	1" X 2"	REGULATOR, INTERNAL MONITOR, TO BE PROVIDED BY COLUMBIA GAS
3	1		1 1/4"	REGULATOR, INTERNAL RELIEF, TO BE PROVIDED BY COLUMBIA GAS
4		1	1"	VALVE, METER STOP, INSULATED UNION, LOCKWING, USE ONLY APPROVED MFG.
5	1		1 1/4"	VALVE, METER STOP, INSULATED UNION, LOCKWING, USE ONLY APPROVED MFG.
6	2		1 1/4"	ELBOW, 90 DEG., THREADED, MALLEABLE IRON, STANDARD, CLASS 150
7		1	2" X 1 1/4"	ELBOW, REDUCING, 90 DEG., THREADED, MALLEABLE IRON, STANDARD, CLASS 150
8	1	1	1 1/4"	METER BAR, WITH INSULATED UNION OUTLET, USE ONLY APPROVED MANUFACTURERS
9		1	1" X 4"	NIPPLE, PIPE, STEEL, GRADE B, EX. HVY., THREAD BOTH ENDS
10	2		1 1/4" X 3"	NIPPLE, PIPE, STEEL, GRADE B, THREAD BOTH ENDS
11	1		1 1/4" X 5"	NIPPLE, PIPE, STEEL, GRADE B, THREAD BOTH ENDS
12	1		1 1/4" X 8"	NIPPLE, PIPE, STEEL, GRADE B, THREAD BOTH ENDS
13		1	1 1/4" X 12"	NIPPLE, PIPE, STEEL, GRADE B, THREAD BOTH ENDS
14		1	2" X 8"	NIPPLE, PIPE, STEEL, GRADE B, THREAD BOTH ENDS
15	1	1	SEE NOTE 7	RISER, APPROVED ANODELESS, STUB OR ENCASED OR FLEX CASING PRE-BENT STEEL
16	1	1	SEE NOTE 7	RISER BRACKET
17	2	2	1 1/4"	SWIVEL, METER OFFSET, MALLEABLE IRON WITH 30LT NUT

WHEN SPECIFYING THE 2" B-34-IMR SUBSTITUTE (1) ITEM 10 & (1) ITEM 15 WITH THE FOLLOWING ITEMS

1B	1	1" X 2"	NIPPLE, PIPE, STEEL, GRADE B, EX. HEAVY, THREAD BOTH ENDS
2B	2	2" X 4"	NIPPLE, PIPE, STEEL, GRADE B, EX. HEAVY, THREAD BOTH ENDS
3B	1	2" X 1"	REDUCER, THREADED, MALLEABLE IRON, STANDARD, CLASS 150

## NOTES

1. REFER TO COLUMBIA GAS STANDARDS FOR CUSTOMER SERVICE LINES, METERS, AND SERVICE REGULATORS (PLUMBER'S GUIDE) FOR PROPER METER SET INSTALLATION INSTRUCTIONS.
2. APPROVED METER SUPPORT MUST BE USED.
3. IF THE SERVICE LINE IS STEEL, CONTACT COLUMBIA GAS PERSONNEL FOR SPECIFIC INSTALLATION INSTRUCTIONS.
4. PREFABRICATED RISERS AND BRACKETS MUST BE INSTALLED AND SECURED ACCORDING TO THE MANUFACTURER'S INSTALLATION INSTRUCTIONS.
5. THE METER MUST BE INSTALLED IN A LEVEL POSITION.
6. NO SCREW FITTINGS ARE TO BE USED BELOW GROUND.
7. THESE ITEMS MUST BE APPROPRIATELY SIZED FOR THE SPECIFIC CONDITIONS.
8. WHEN MEASURING FROM A LOW PRESSURE SYSTEM, THE REGULATOR (ITEM 3) & 2 PIPE NIPPLES (ITEMS 11 & 13) ARE REPLACED WITH A SINGLE PIPE NIPPLE 13 5/8" LONG.
9. REGULATOR ASSEMBLY SET ANGLE IS 60° FOR 4" DIAPHRAGM AND 70° FOR 6" DIAPHRAGM.

DRAWN CR EMERSON	DATE 03-03-03	DRAWING NO. PLMB-0002	ISSUE NO.
CHECKED	DATE	SHEET NO. 2 OF 2	